

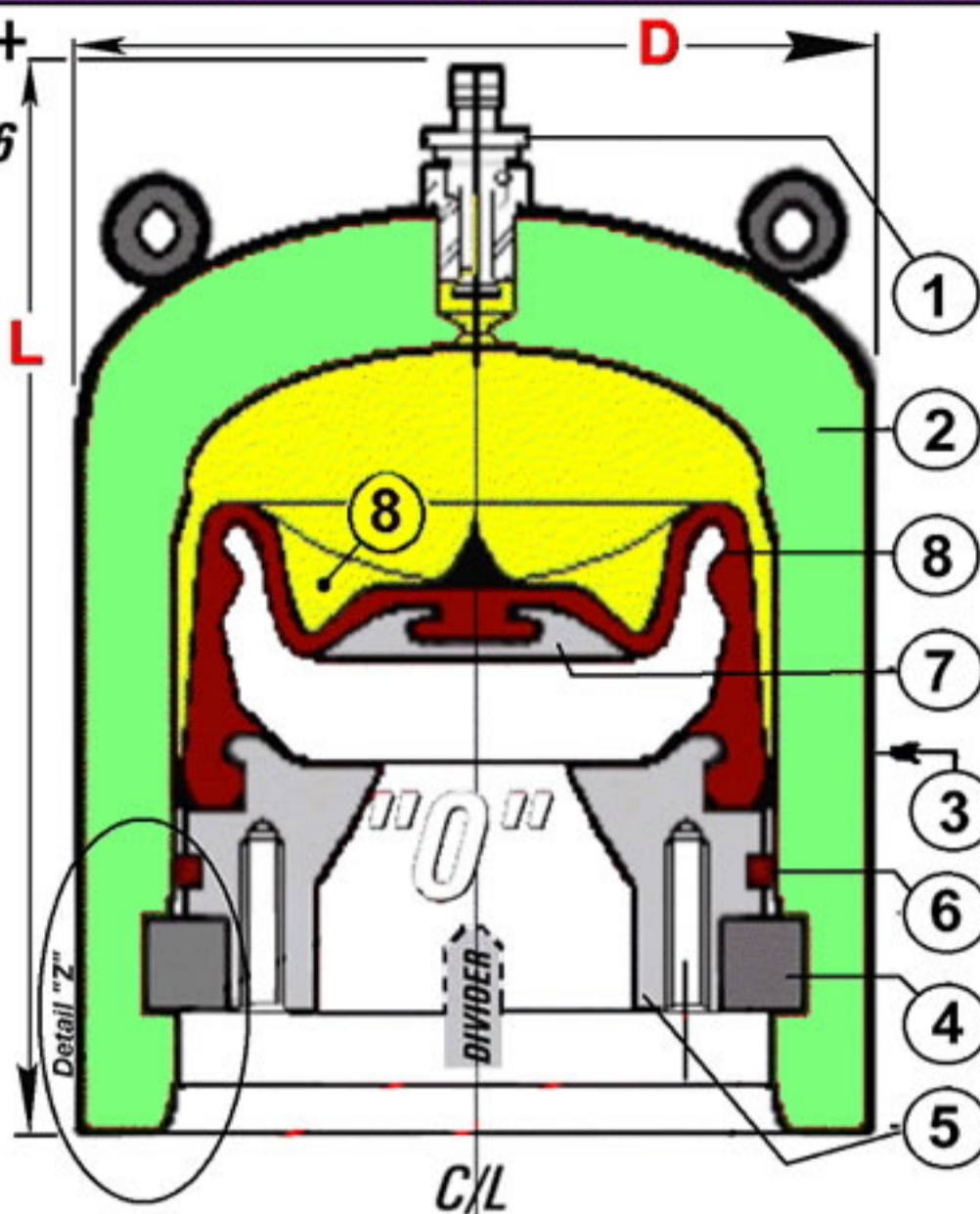
PipeHugger In most popular form. "O" face + Pipe base

Typical "level 1" Drawing, no extra charge.

Under license from M. Packer since 1963



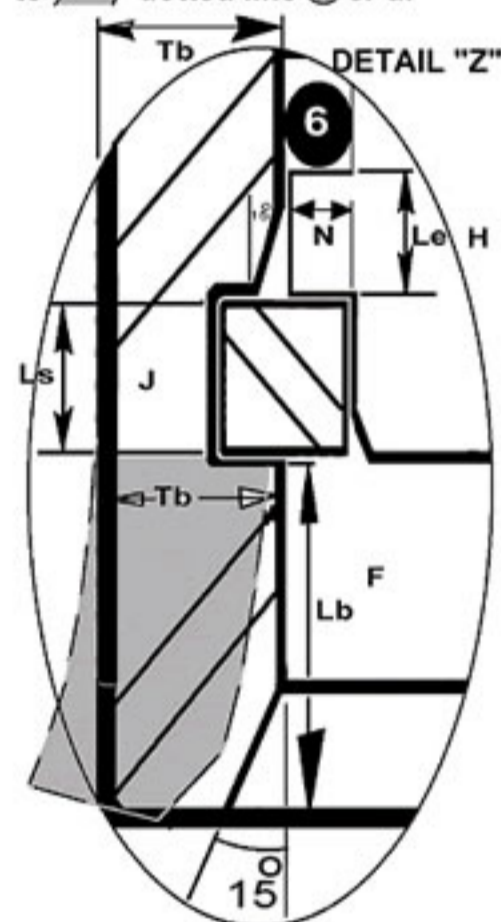
EG:- Phr/"O"/-Lt./-Br/316 +
 or --/-In3/-Psi/--
 EX: PB/90x90/DN--PN--/316
 or --/--"---#/--



D Outside Diameter	
L Overall Length	
CC Connection to Connection	

Rule of thumb For failure Control:-

Where T=wall thickness
 F, distance in to groove = 1.4T
 J, groove width = 0.8T
 N, groove depth = 0.45T
 Ensures safe depressurization by the vomit of seal 6 down the adjacent seal lead in chamfer 15° when the mouth spreads to to dotted line @ 6Pd.



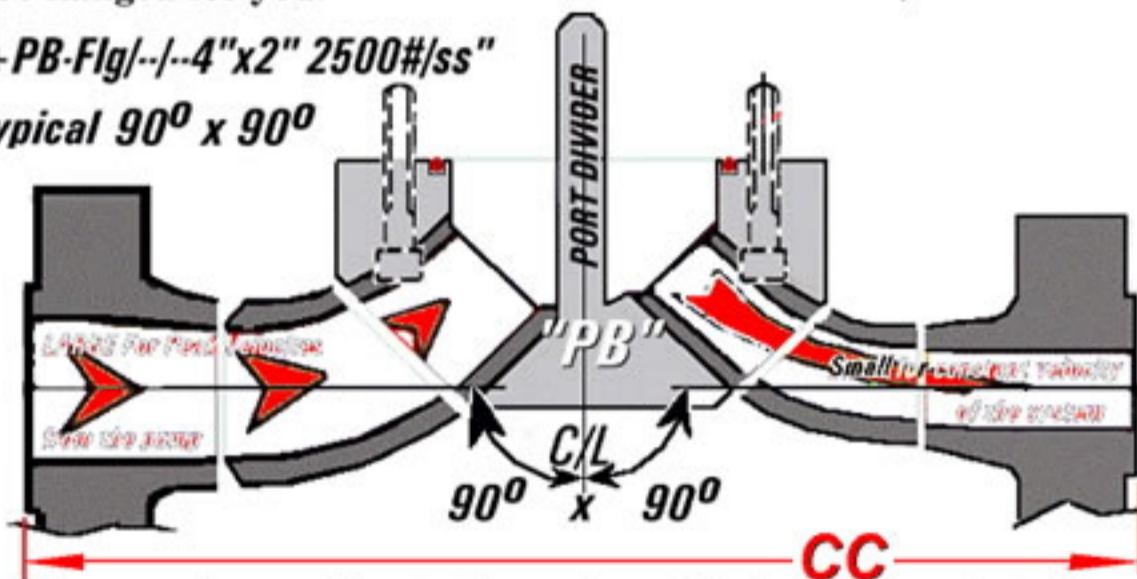
The Most Popular

For minimum "down time"
 4 socket head cap screws
 release the PipeHugger from
 the Piping Base block,
 maintaining system integrity
 & using 4 minutes for a swap
 to a standby spare capsule

Jig Built, "PBs" give you
 exact dimensions at a lower
 cost than on site pipe
 fabrication.

Normally welded perm-
 anently into the system,
 but may be flanged for you.

"+PB-Flg/-/-4"x2" 2500#/ss"
 Typical 90° x 90°



Your Connection orientation, should always be stated as
 an angle relative to the damper center line (C/L)

The popular preference shown above is called 90°x90° "90x90"

Connection Specification

ANSI B16.5
 DN-PN

CUSTOMER:

CUSTOMER REF.:

QUANTITY:

W/O No.:

W: Procedure Nbr.

WEIGHT (EST.):

ISSUED BY:

CHECKED BY:

ISSUE DATE: 10 Jly 1979
(DAY/MONTH/YEAR)

FILE REF: Phr+PBfg.bmp

SCALE: NTS

ALL DIMENSIONS ARE
 MM EXCEPT AS STATED.

SHEET: 1 OF 1

REV. 0



ISO 9001 - 95-LON-AQ-458 Vessel Cert. 29289
 www.pulseguard.co.uk www.pulseguard.com
 PO Box 47 Stockport "LDI" Box 506 Hampstead
 SK5 7BB Ches. UK NC 28443-9110 USA
 -01-910-270-2737
 Fax. -01-910-270-2740



TITLE

APPLICATION