

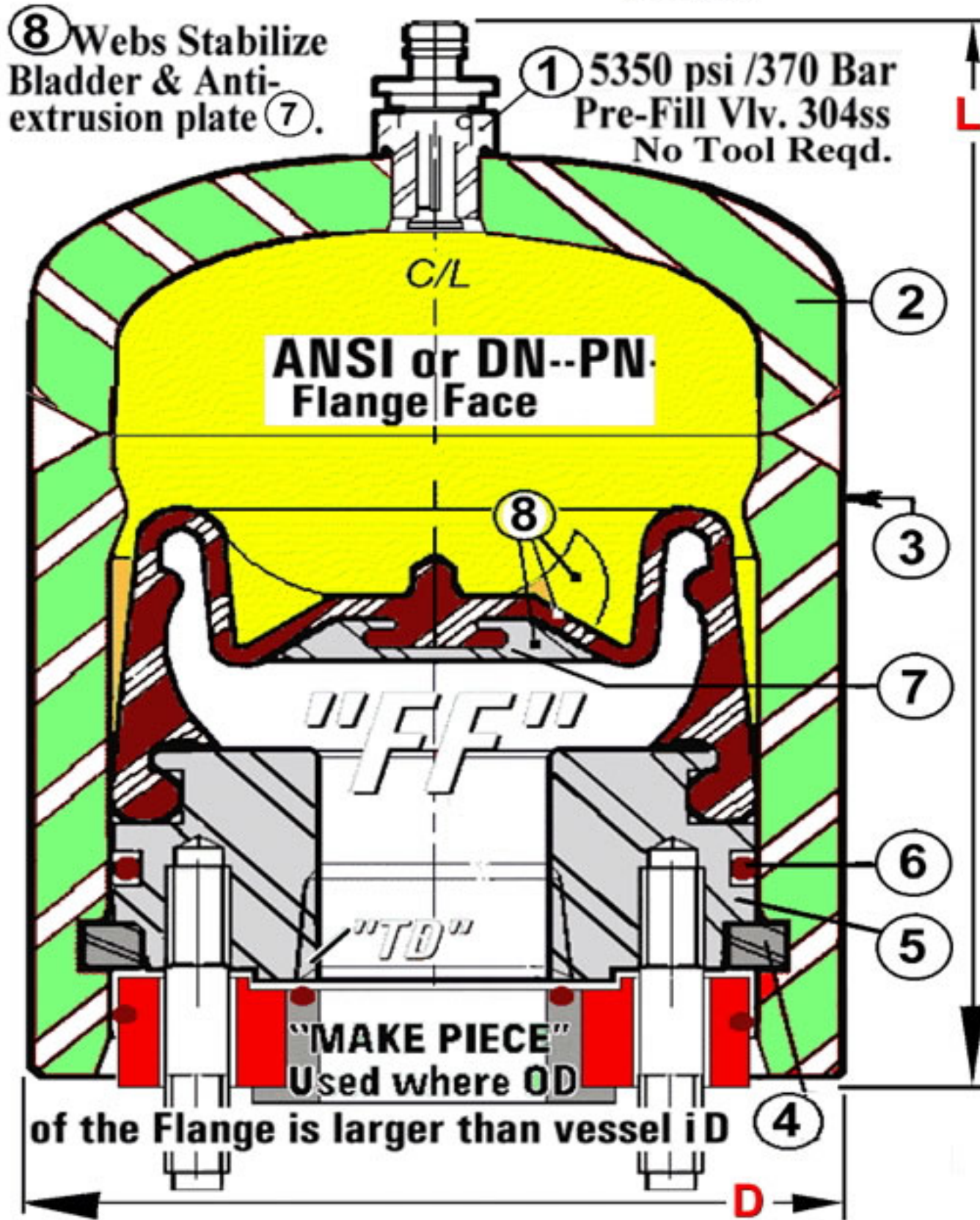
PipeHugger with Flange Face "FF" or Thread "TD"

Typical "level 1" Drawing, no extra charge.

Under license from M. Packer since 1963



Single Connection "PHrFF/" or "PHr-TD/-" threaded

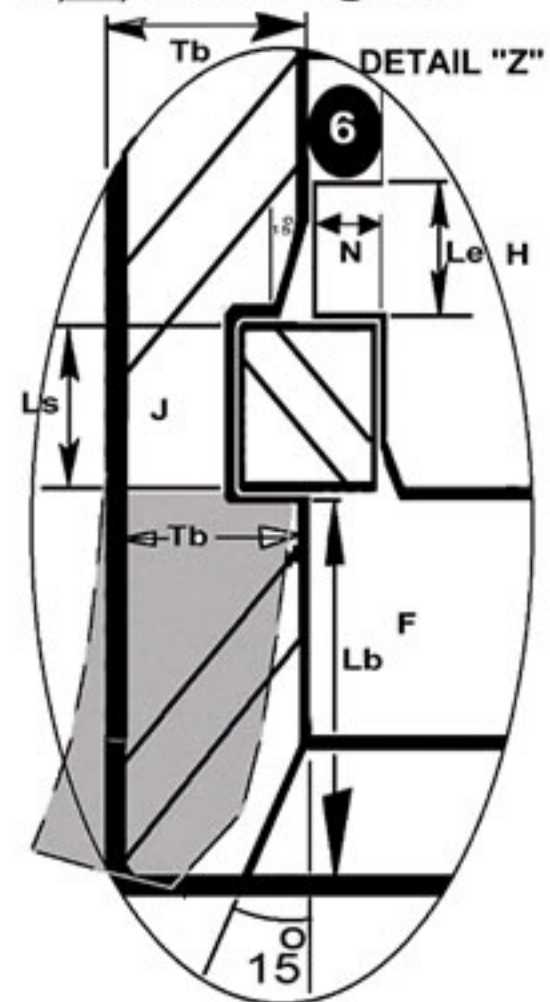


D Outside Diameter	
L Overall Length	
C Connection	

Rule of thumb for failure Control:-
Where T=wall thickness

- F, distance in to groove = 1.4T
- J, groove width = 0.8T
- N, groove depth = 0.45T

Ensures safe depressurization by the vomit of seal 6 down the adjacent seal lead in chamfer 15° when the mouth spreads to to / dotted line @ 6Pd.



"TD" Threaded Connection Female to 1.25" NPT or 1" BSP Male 1.5" NPT up.

Connection Specification

ANSI B16.5
DN-PN

Item	Part No.	Description	Material	I.D. #
1	9019C	N2 Prefill	304ss	
2		Cap-Gas	2:1 S.E. head	
3		Body (Shell)	106 Smls Pipe	
4		Segmental Lock Ring	from 106 Smls Pipe	
5		End-closure	PVQ Plate	
6		Seal		
7		Anti-Ext. Button		"Non Pressure Retaining component"
8		Diaphragm & Webs		"Non Pressure Retaining component"

CUSTOMER:	
CUSTOMER REF.:	
QUANTITY:	
W/O No.:	
W: Procedure Nbr.	
WEIGHT (EST.):	
ISSUED BY:	
CHECKED BY:	
ISSUE DATE:	10 Jly 1979
FILE REF:	PhrFlgd.bmp
SCALE: NTS	ALL DIMENSIONS ARE IN MM EXCEPT AS STATED.
SHEET: 1 OF 1	REV. 0

PULSEGUARD Ltd. & Inc.
Guard Against Pulsation Licensed M. Packer 1963

ISO 9001 - 95-LON-AQ-458 Vessel Cert. 29289
www.pulseguard.co.uk www.pulseguard.com
PO Box 47 Stockport "LN" Box 506 Hampstead
SK5 7BB Ches. UK NC 28443-9110 USA
-01-910-270-2737
Fax. -01-910-270-2740

In association with ShockGuard Ltd & Liquid Dynamics International Ltd

PIPE LINE SURGE PROTECTION ANALYSIS MAGNETICS SOFTWARE

TITLE

APPLICATION