

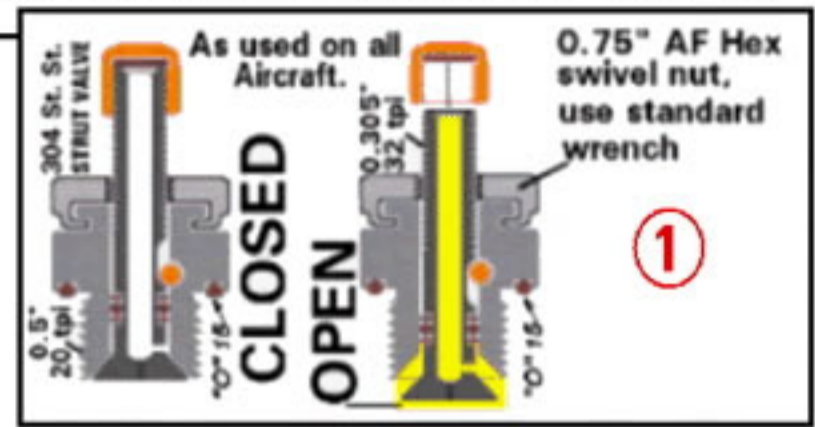
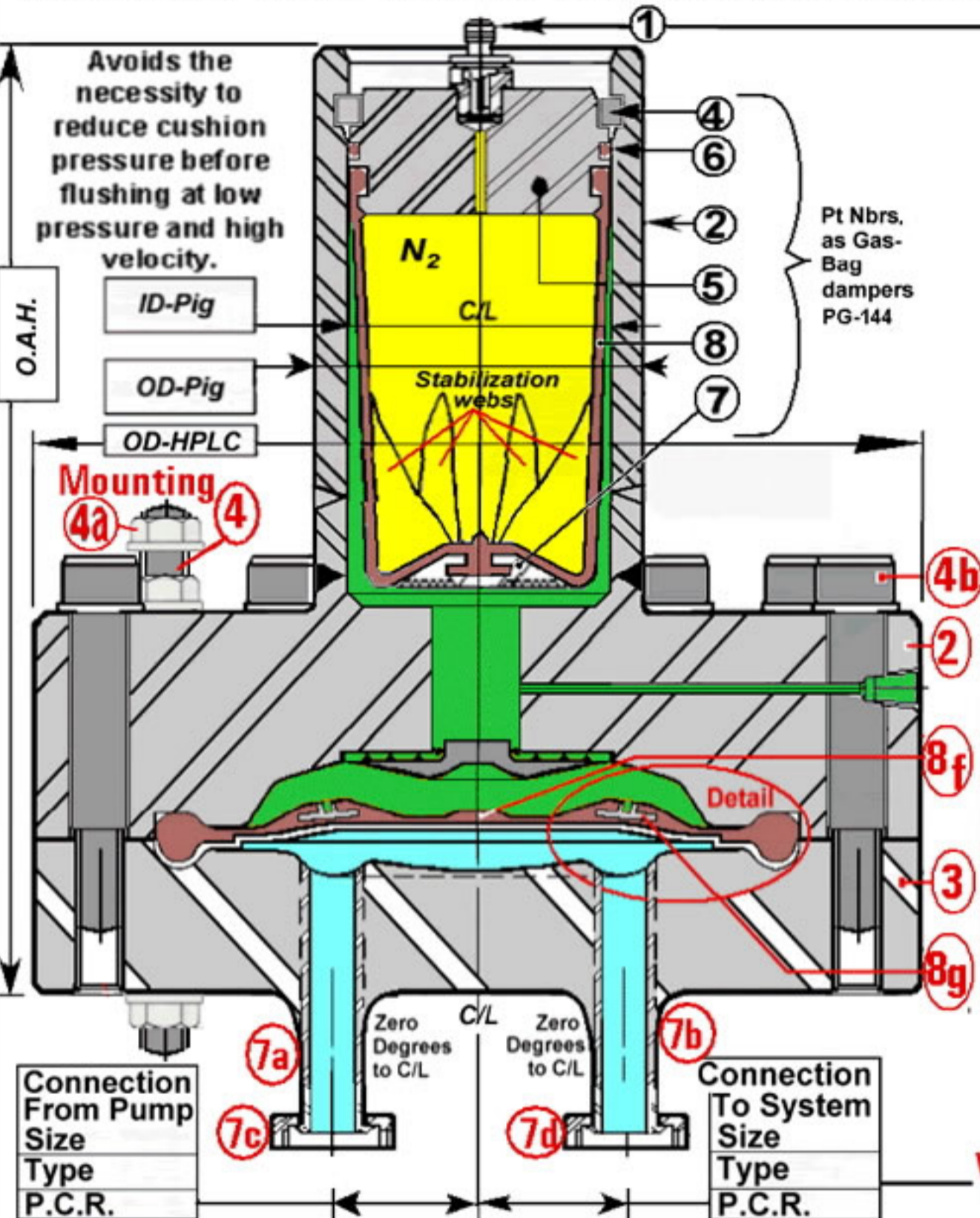
# TuG-HPLC-TW TUBEGUARD

Cleanable in place below pre-fill pressure. Pulse Dampers



## SANITARY / C.I.P. & HPLC

CONNECTIONS "CB" OR "TRICLOVER" OR NATIONAL OR INTERNATIONAL DIARY FITTINGS, IN UP TO 2" TUBING.



**POLISHED STAINLESS**

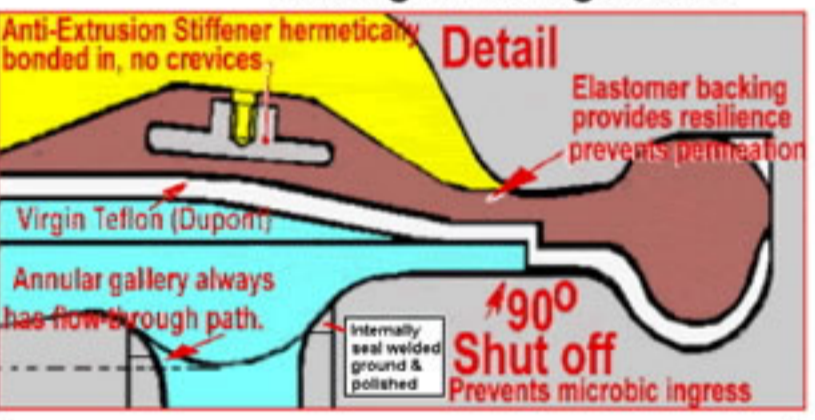
**PROCESS LIQUID**

**CUSHION PRE-FILL (N<sub>2</sub>)**

**ELASTOMER**

**VIRGIN TEFLON**

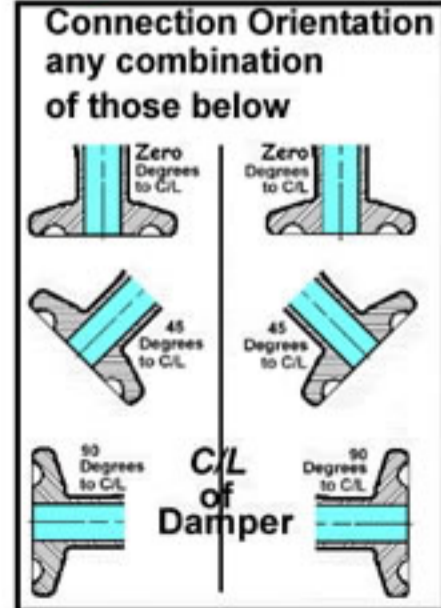
**Transfer Fluid.**  
Volume is set to prevent 8 being driven against 3



O.A.H.	in	mm
OD-HPLC	in	mm
OD-Pig	in	mm
ID-Pig	in	mm

Widely spaced porting for in place scouring.

ITEM	PT. Nbr.	DESCRIPTION	MTL	HT / CAST Nbr.	CUSTOMER
1	9019c	PRE-FILLING VALVE	304SS		CUSTOMER REF.
2		CUSHION CHAMBER	316L		3rd. PARTY QA. EXTRA
3		LIQUID CHAMBER	316L		DOCUMENTATION LEVEL EXTRA
4		ALL-THREAD 3 places			WELDING W:
4a		MOUNTING NUTS/WASHERS			QUANTITY
4b		BOLTS 9 places			SHOP / JOB Nbr.
4c		NUTS & WASHERS			WEIGHT(Est.)
5					ISSUED BY M.P.
5a					ISSUED DATE Feb 2002
6					CHECKED BY D.B.
7			316L		FILE NAME TuG/HPLC/ss/
7a 7b		PIPE or TUBE	316L		SCALE Not To Scale.
7c 7d		PER CUSTOMER SPEC.	316L		Rev. #
8 g f	mm Diam. DT	90° Shut-off DIAPHRAGM Virgin PTFE Faced.	PTFE & EPDM		DIMENSIONS ARE unless otherwise stated mm



**PULSEGUARD** Ltd. & Inc.

For Americas & Pacific --(01)910-270-2737

For Europe & East --(0)161-480-9625

View Number

IN ASSOCIATION WITH OTHER M. PACKER LICENSEES

**EGASLI**

FLOW-GUARD.Com Suddex Ltd. SHOCKGUARD Ltd. Liquid Dynamics

Flow Fuzes Special Pipe Shock Accumulators Alleviators International Inc. Analysis.