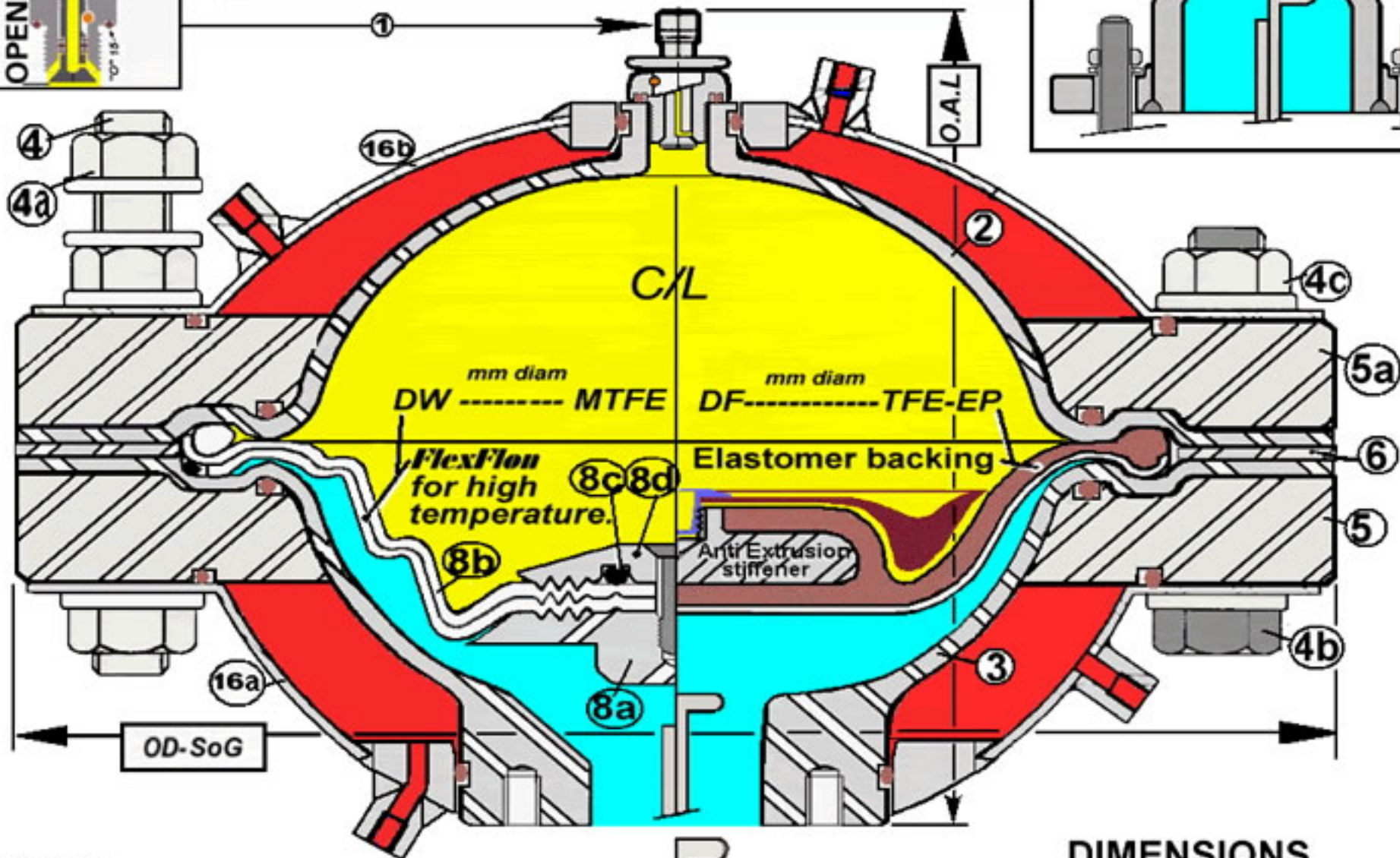
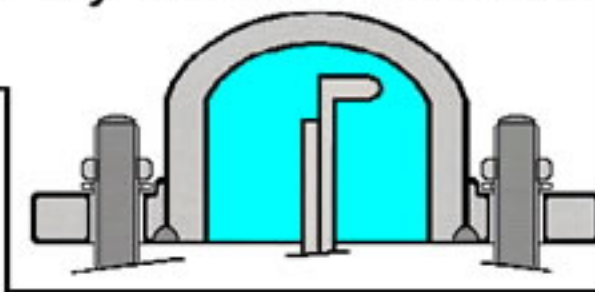
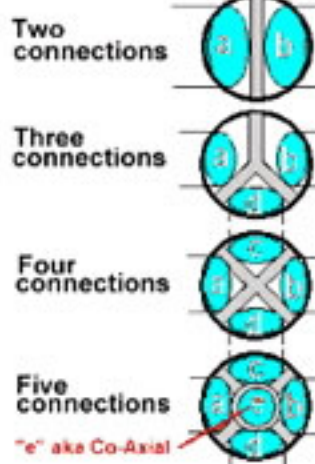


Used in place of Damper capsule, during start up pipe crud flush, and system Hydro-Test. Also during damper service. Maintains system integrity.

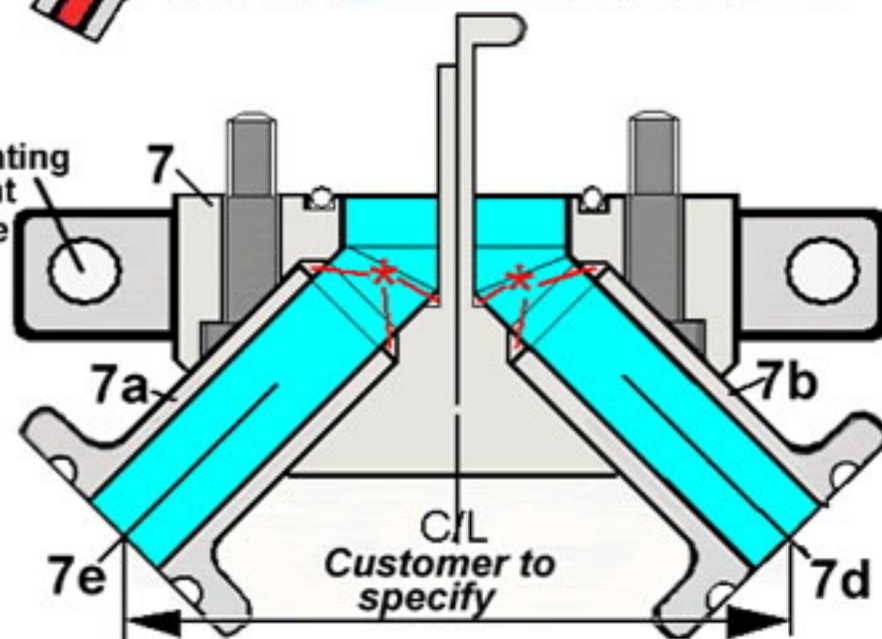
By-Pass / Diverter Block



Up to 6 connections each divided from the others, by a cross



Secure Mounting points. mount the pipe base not the damper.

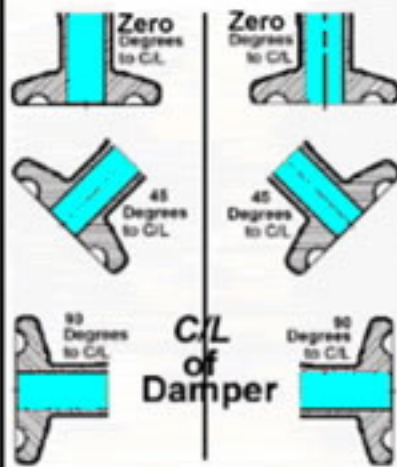


**DIMENSIONS**

OD-SoG	in	mm
O.A.L.	in	mm
7e-7d	in	mm

- \* Internal Seal weld ground & polished
- Polished Stainless Steel
- N<sub>2</sub> Cushion Pre-Fill Gas
- Multi Flexflon layer
- "Candy" Process Liquid

Connection Orientation any combination of those below



ITEM	PT. Nbr.	DESCRIPTION	MTL	HT / CAST Nbr.	CUSTOMER
1	9019c	PRE-FILLING VALVE	304SS		CUSTOMER REF.
2		CUSHION CHAMBER	316L		3rd. PARTY QA. EXTRA
3		LIQUID CHAMBER	316L		DOCUMENTATION LEVEL EXTRA
4		ALL-THREAD 3 places			WELDING W:
4a		For Lifting point attachments (3)			QUANTITY
4b		BOLTS 9 places			SHOP / JOB Nbr.
4c		NUTS & WASHERS			WEIGHT(Est.)
5		SUPPORT RING	316L		ISSUED BY M.P.
5a		GAS SIDE SUPPORT RING	316L		ISSUED DATE Feb 2002
6		SPACER RING	316L		CHECKED BY D.B.
7		PIPING BASE BLOCK	316L		FILE NAME SoG/O"/ss-TFE + PB-tw/ss
7a 7b		PIPE or TUBE	316L		SCALE Not To Scale.
7c 7d		PER CUSTOMER SPEC.	316L		Rev. #
8 a b c d	mm Diam. DW	FLEXFLON DIAPHRAGM assy. with anti extrusion plates	MTFE & 316L		DIMENSIONS ARE unless otherwise stated mm
16a b		Gas side & Liquid side Jackets	316L		