

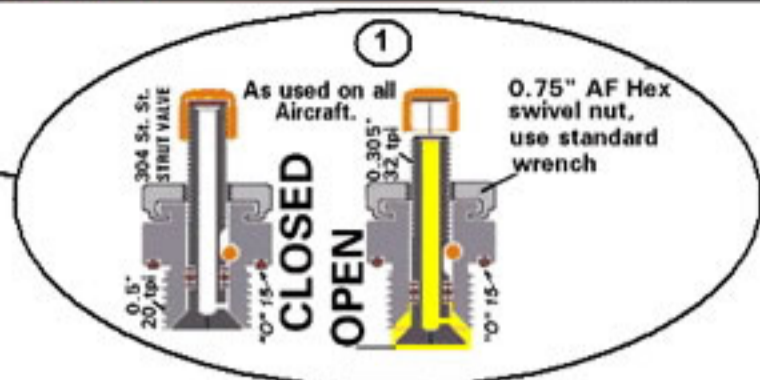
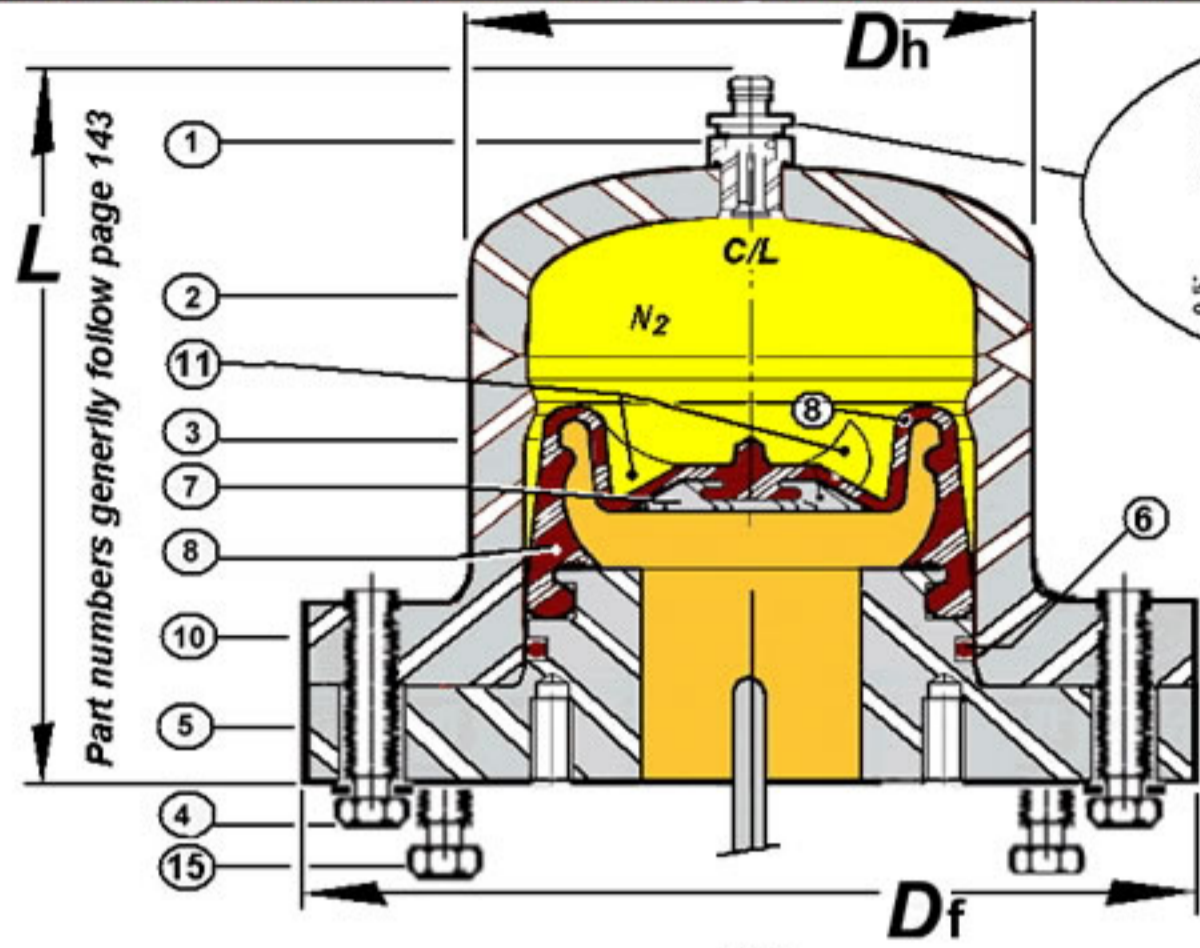
Bolted PipeHugger Phr-bltd/+Pb

Pulse DAMPERS

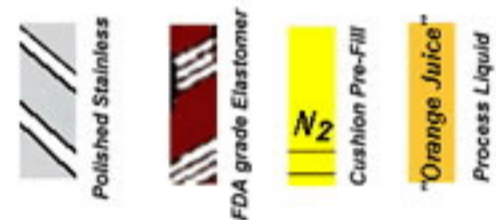


For Multi-plunger, and multi flow stream homogenizer service.

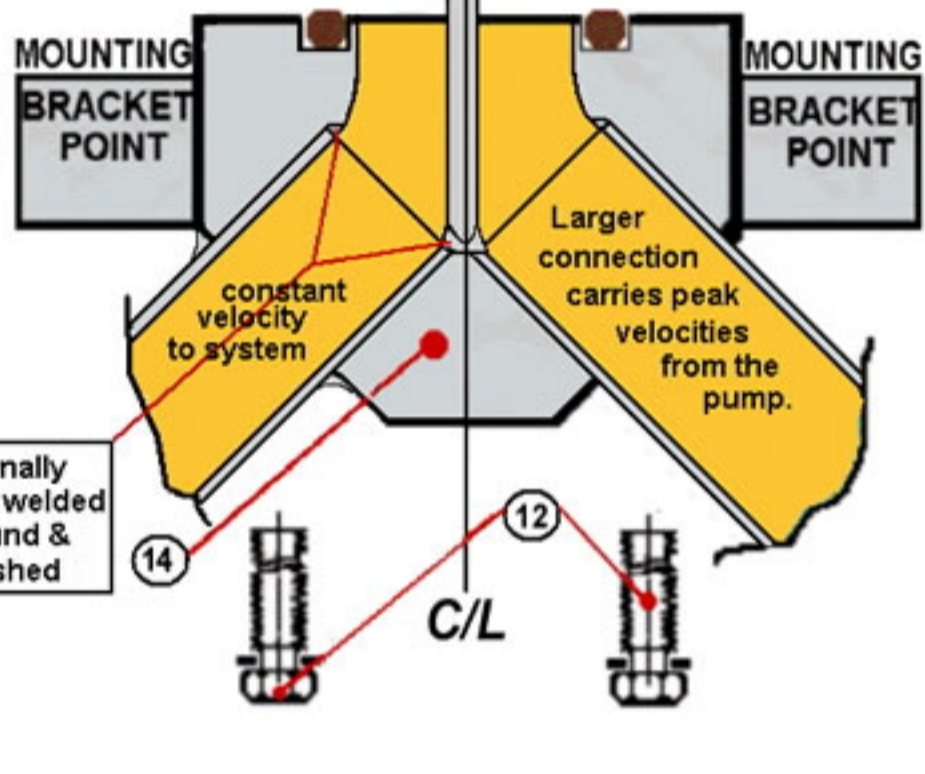
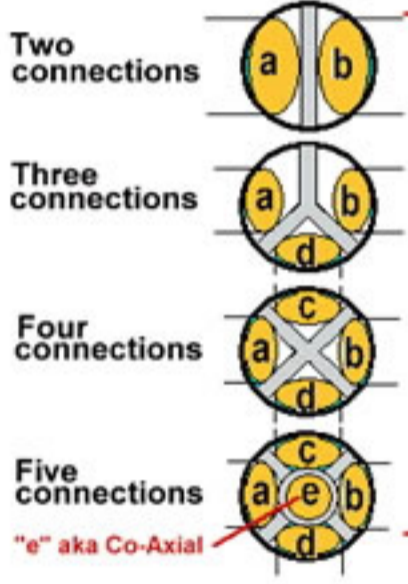
Flow through Diverter block, used for crud flush and hydro test before start-up. Maintains piping integrity during damper capsule service.



| | mm | ins |
|-------|----|-----|
| D_h | | |
| D_f | | |
| L | | |



Up to 6 connections each divided from the others, by a cross



Restrain the mounting block/piping base, do not restrain the capsule and tear it off the piping base by the pipes trying to move

Connection Type

| Connection Sizes Nbr.Of | |
|-------------------------|--|
| a. | |
| b. | |
| c. | |
| d. | |
| e. | |

| ITEM | PT. Nbr. | DESCRIPTION | MTL | HT / CAST Nbr. | CUSTOMER |
|------|----------|--|-------|----------------|---|
| 1 | 9109c | NITROGEN PRE-FILLING VALVE | 304ss | | CUSTOMER REF. |
| 2 | | NITROGEN BONNET BODY | 316L | | 3rd. PARTY QA. EXTRA |
| 3 | | NITROGEN BONNET HEAD | 316L | | DOCUMENTATION LEVEL EXTRA |
| 4 | | BOLTINGS 8 -12 PLACES | | | WELDING W: |
| 5 | | LIQUID END PLUG, BOLTED | 316L | | QUANTITY |
| 6 | | DIAMETRAL "O" SEAL | | | SHOP / JOB Nbr. |
| 7 | | ANTI-EXTRUSION PLATE | 316L | | WEIGHT(Est.) |
| 8 | | BLADDER (Definition = Membrane with LIQUID inside) | | | ISSUED BY M.P. |
| 9 | | | | | ISSUED DATE Feb 2002 |
| 10 | | BONNET FLANGE | 316L | | CHECKED BY D.B. |
| 11 | | BLADDER STABILIZATION WEBS | | | FILE NAME |
| 12 | | 4 BOLTS FOR DAMPER TO BASE "O" SEAL FACE | | | SCALE Not To Scale. |
| 13 | | | | | Rev. # PhrBltdFD.bmp |
| 14 | | MULTI-PORF FLOW THRU. PIPING BASE / MOUNTING BLOCK | 316L | | DIMENSIONS ARE mm unless otherwise stated |
| 15 | | DISASSEMBLY "JACKING" BOLTS | | | |