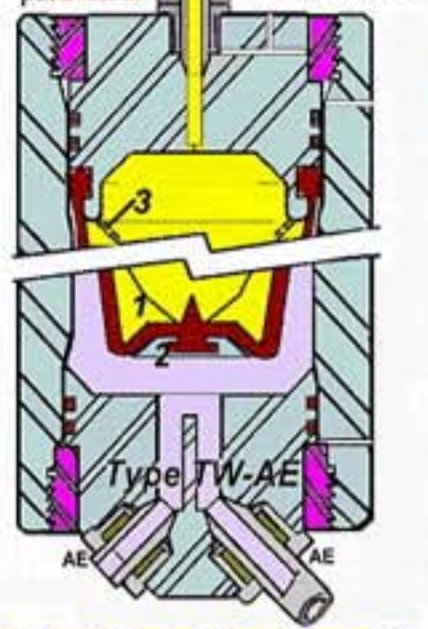


PipeGuard-UHP Damper Type / Volume / Design Pressure / Membrane type Diams. Lngth. mm - Material / connection / Wetted Metal
 Under License From Martin Packer since 1983
 Part Number and identification: **PIG-UHP** / Lt = Liters / Br = Bar / Ex Eg: B 72 x 255 / please see below
 --- i = in3 / --- p = psi / B = Gas Bag. / N. E. H. or V. / 1"x3/4" Autoclave Male / DSS or SDSS
For Corrosive Environments

ULTRA PRESSURE
 10K-15K psi to 1000 Bar
 Ultra pressure.
 15K-60K psi to 4000 Bar
 Pre-Fill Valve of your choice for super & ultra pressure. Price not included.

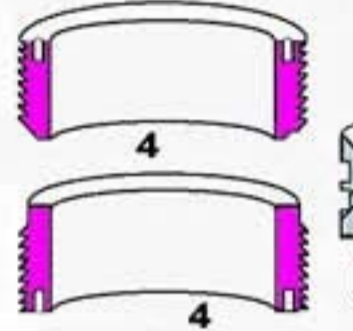


DANGER. DO NOT START WORK ON HIGH PRESSURE DAMPERS UNTIL THEY ARE ISOLATED FROM THE SYSTEM, AND ALL NITROGEN AND LIQUID CONNECTION ARE OFF, SO YOU ARE SURE THEY ARE DE-PRESSURIZED.

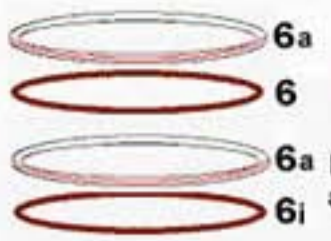


REMOVE ALL CONNECTIONS

With the two pin spanner wrench provided unscrew both rings (4)



Using "T" fittings in the connection of (3) & (5) for hand hold, withdraw (3) & (5).



HIGH TENSILE NON STAINLESS TO PREVENT GALLING

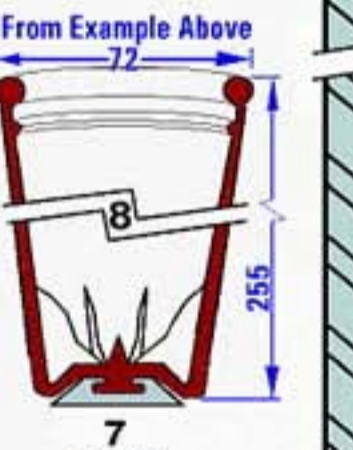
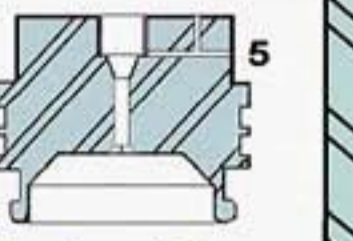
DUPLEX or SUPER DUPLEX Stainless

CLEAN LIQUIDS

COMPRESSIBLE CUSHION VOLUME, FOR FLOW FLUCTUATION
 OFFICIALLY TESTED ONLY
NITROGEN
 "G. F. K."

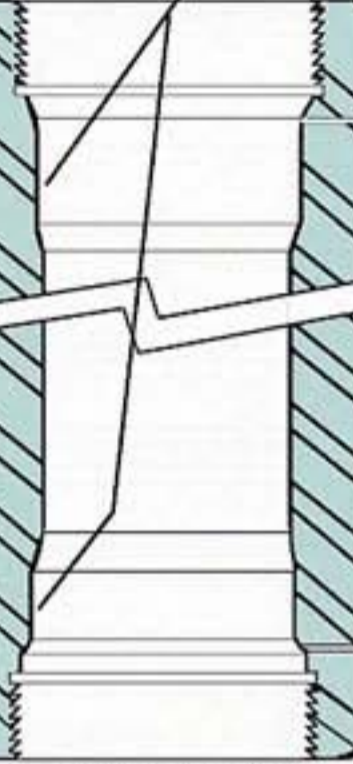
817m40T
 37m09775-5
 SA 182 F22
 UNS K215903

E High Temp Ethylene Propylene Ter-Polymer
ELASTOMER



(7) is difficult to replace. Inform factory if you wish your spare gas bag to have a (7) ready installed, Return the old (8) & (7).

Inspect the bore sealing area for any scratches and for corrosion.



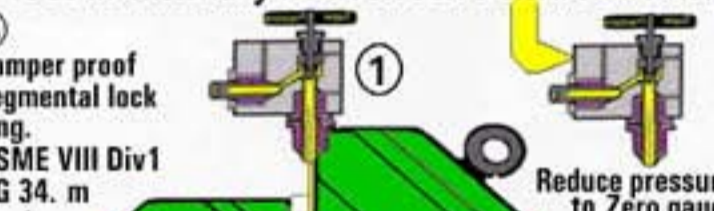
- 1, Nitrogen Pre-Fill valve you chose.
- 2, Vessel Body
- 3, Liquid End Plug for Flow-Through pressure shock interception.
- 4, Buttress thread Retaining Rings
- 5, Nitrogen End Head / plug
- 6i, Inner seal for liquid compatibility
- 6, Outer seal for Extrusion Resistance 90° Shore A IRH
- 6a, Seal Back-Up ring, multi-turn angle cut overlap
- 7, Membrane "Anti-Extrusion Plate, with scroll face to prevent hydro-lock.
- 8, Gas Bag membrane. 20,000 psi transfer moulded, for permeation blister / pimple resistance. N= BUTADIENE ACRYLO NITRILE E= ETHYLENE PROPYLENE TER-POLYMER V= FLUORO-CARBON ELASTOMER LOW & HIGH TEM. + FOOD & DRUG GRADES
- 9, Piping Base block

PulseGuard® wishes to review its products; we will install a spares kit, test, & recertify your damper, for the same cost as a spares kit.

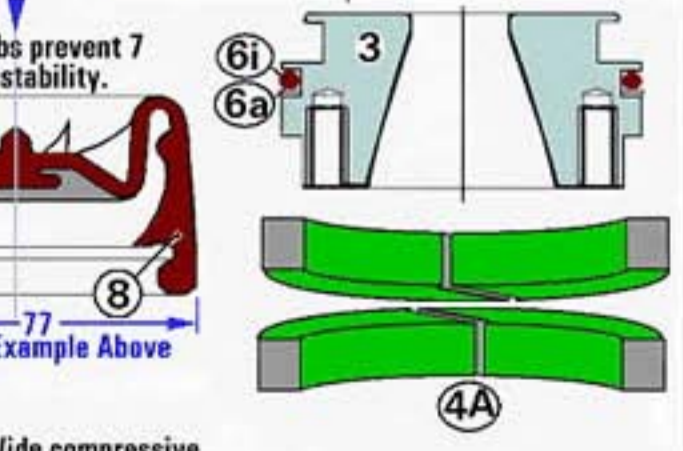
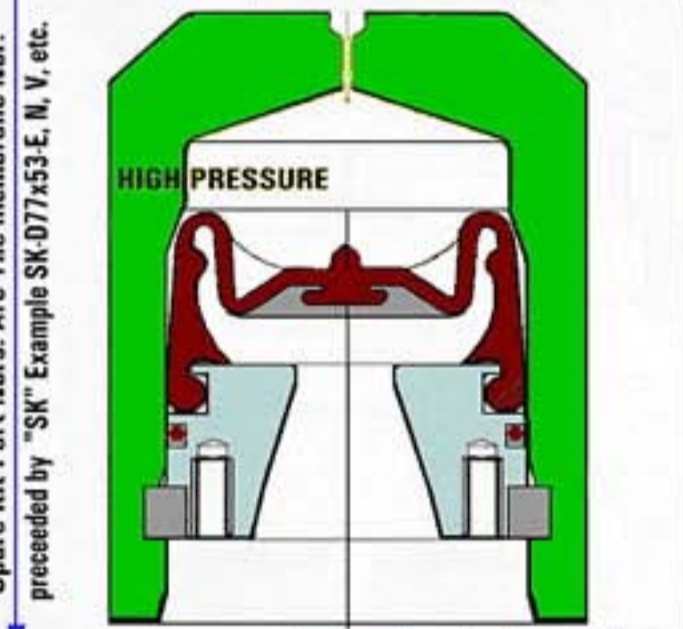
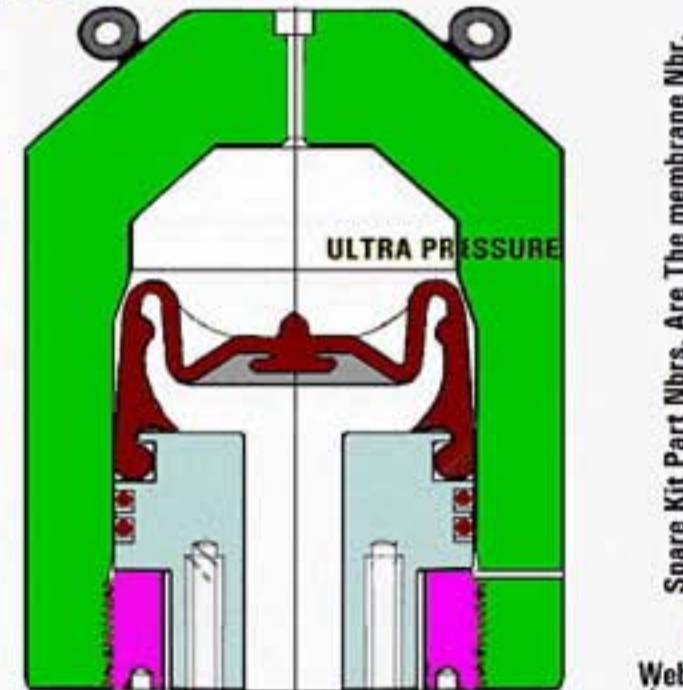
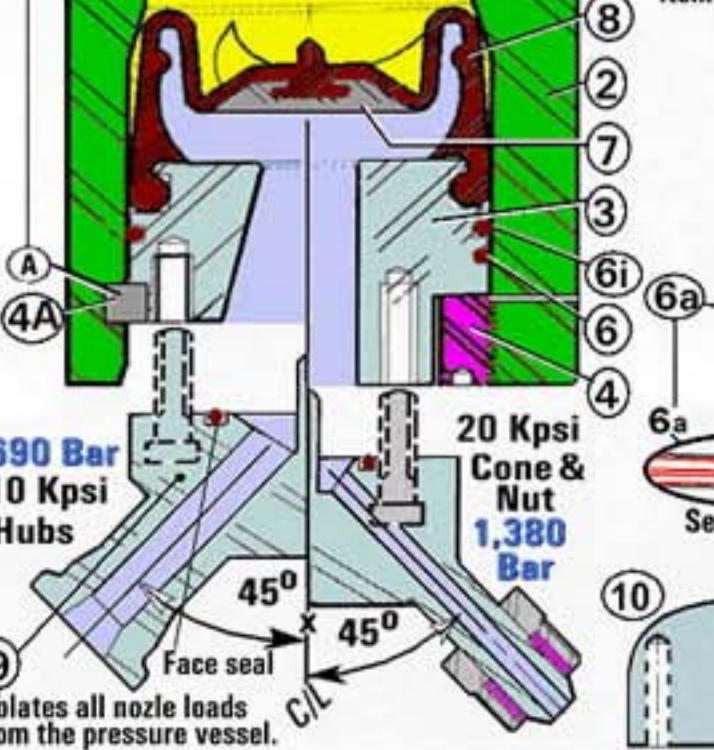
PipeHugger HP, UHP

Damper Type / Volume / Design Pressure / Membrane type Diams. Lngth. mm - Material / connection / Wetted Metal
 Under License From Martin Packer since 1983
 Part Number and identification: **PHr** / Lt = Liters / Br = Bar / Ex Eg: D 77 v 53 - E / preceded by "SK" Example SK-D77x53-E, N, V, etc.

For Large Diameter Ratio of Liquid Chamber to connection diam. Explodes pressure pulsation. Use in externally non corrosive environments.



Reduce pressure to Zero gauge. Remove valve. Then unbolt from the piping base item 9



Do not Disconnect your pipe system. Preserve your system pressure integrity. Mount the block on the pipe base, in place of damper.

- 4A For other Nbrs. see above Segmental Lock Ring
- 8 Bladder (Liquid is inside)
- 10 HP By-Pass block